

Large Area PIN TO-CAN

WPPDFDX0SNNCN

Features

- Flat window TO package / InGaAs Photodiode active area : 1, 2, 3 mm
- Application : Optical power monitoring

Absolute Maximum Ratings (Ta = 25 °C unless otherwise specified)

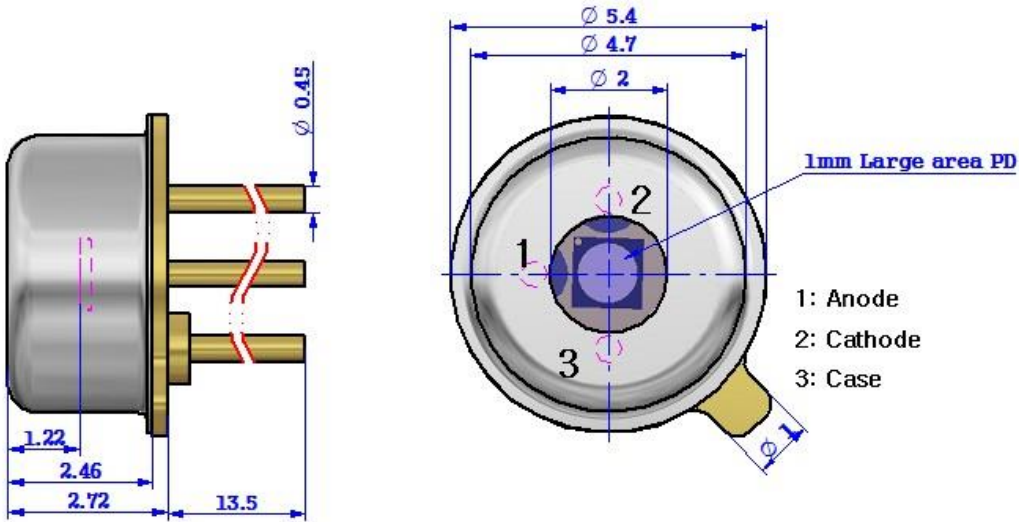
Condition	WPPDFD10SNNCN	WPPDFD20SNNCN	WPPDFD30SNNCN
Reverse voltage	10V	5V	5V
Reverse current	10mA	10mA	10mA
Forward current	10mA	10mA	10mA
Operating temperature	-40 to 85°C	-40 to 85°C	-40 to 85°C
Storage temperature	-40 to 85°C	-40 to 85°C	-40 to 85°C

Electro-Optical Characteristics (Ta = 25 °C unless otherwise specified)

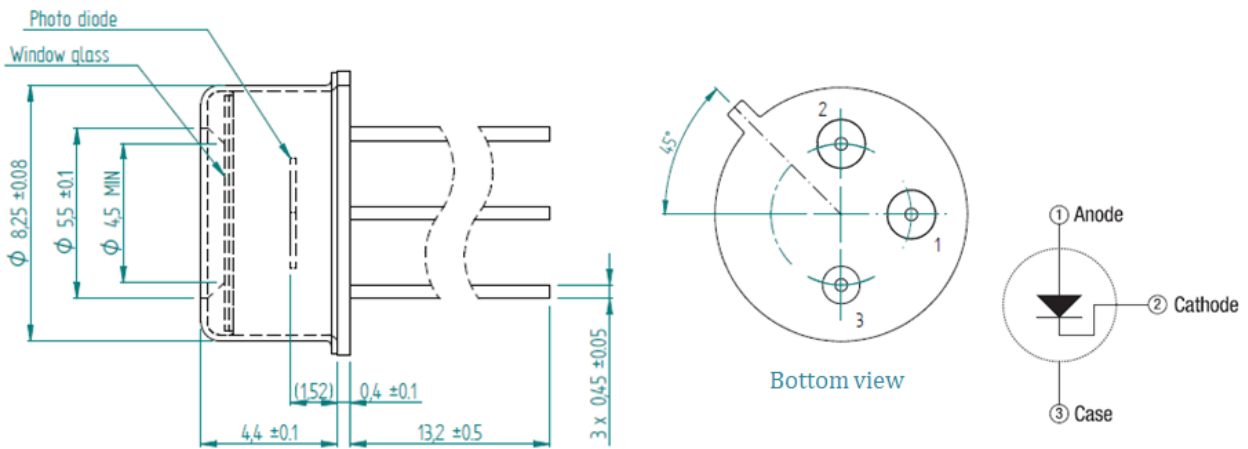
Condition		WPPDFD10SNNCN	WPPDFD20SNNCN	WPPDFD30SNNCN
Active diameter	Typ	1.0mm	2.0mm	3.0mm
Optical wavelength range	Min	1000nm	1000nm	1000nm
	Max	1650nm	1650nm	1650nm
Responsivity @1310nm, V _R =2V	Min	0.85A/W	0.85A/W	0.85A/W
	Typ	0.95A/W	0.95A/W	0.95A/W
Responsivity @1550nm, V _R =2V	Min	0.9A/W	0.9A/W	0.9A/W
	Typ	1.0A/W	1.0A/W	1.0A/W
Dark current @V _R =2V	Max	10nA	50nA	200nA
Shunt resistance @V _R =10mV	Typ	20MΩ	10MΩ	5MΩ
Linearity @ 1550nm, V _R =2V, -45 to 5dBm	Typ	±5%	±5%	±5%
Total capacitance @V _R =2V	Typ	100pF	350pF	600pF
	Max	300pF	1000pF	1800pF
Bandwidth	Typ	30MHz	8MHz	5MHz

Mechanical Dimension (unit: mm)

WPPDFD10SNNCN



WPPDFD20SNNCN / WPPDFD30SNNCN



Wooriro Co., Ltd.
 Tel: +82-62-602-8100
www.wooriro.com
support@wooriro.com

Specifications described here are subject to change without notice